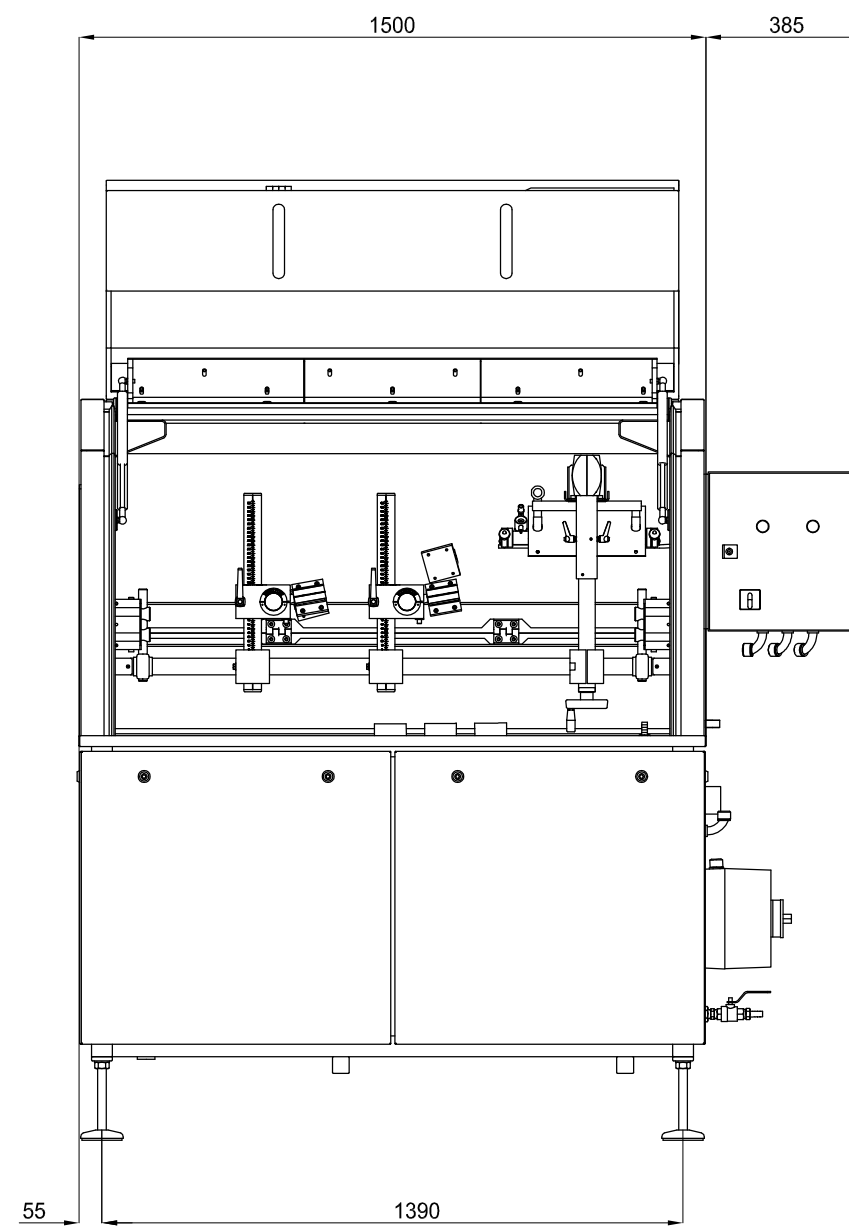
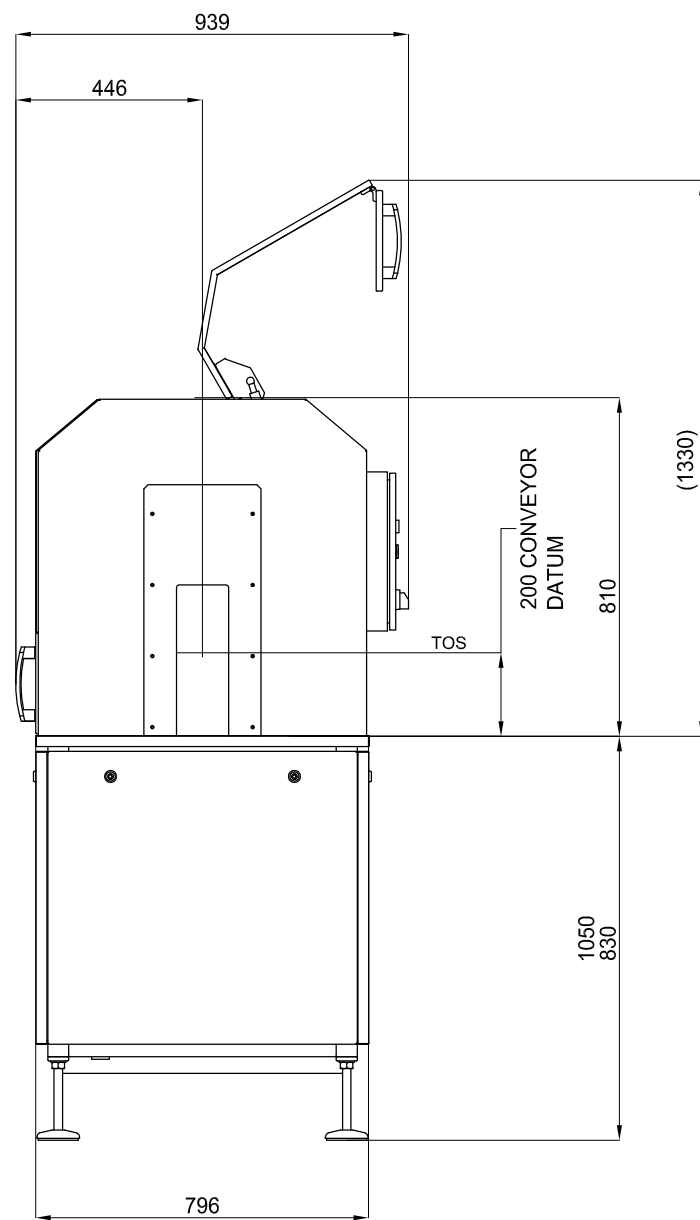
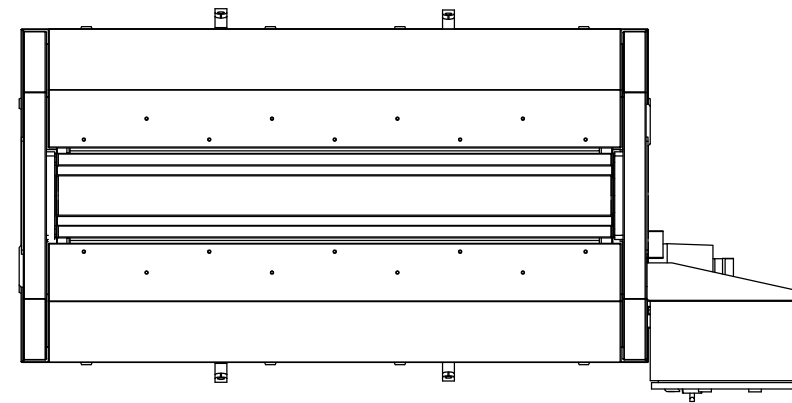


DO NOT SCALE

CONTAINER HEIGHT UPTO 350mm
CONTAINER WIDTH 40 TO 150mm

CONVEYOR DATUM MAY BE LOWERED
IF DEPTH OF CONVEYOR LESS THAN 200mm



GENERAL FINISH: MACHINED FINISH TO UOS ALL SURFACES TO BE FREE FROM BLEMISHES DEBUR AND BREAK ALL SHARP EDGES		MATERIAL:		COPYRIGHT © SECOMAK LTD 2006. ALL RIGHTS RESERVED. THIS DRAWING CANNOT BE USED, COPIED, OR REPRODUCED WITHOUT THE EXPRESS PERMISSION OF SECOMAK LTD.		REVISION	
GENERAL TOLERANCES UOS LINEAR: ± 1.0 WELDED FAB & SHEET METAL ± 0.1 MACHINED ANGULAR: ± 0.5°		FINISH:		TITLE: POWERSTRIP		330 CENTENIAL PARK ELSTREE, HERTS, WD6 3TJ 020 8724 1300	
DRAWN	NAME	SIG	DATE	SCALE:	DWG NO.	SHEET 1 OF 1	A2
BJB			06/06/2006				
MOD	ECN	DESCRIPTION	DRN	DATE	CHKD		