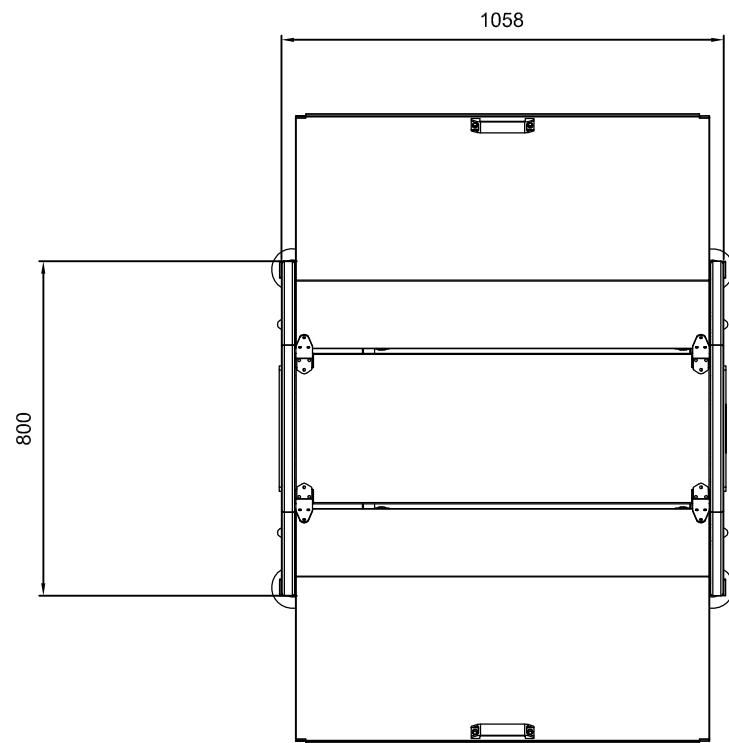
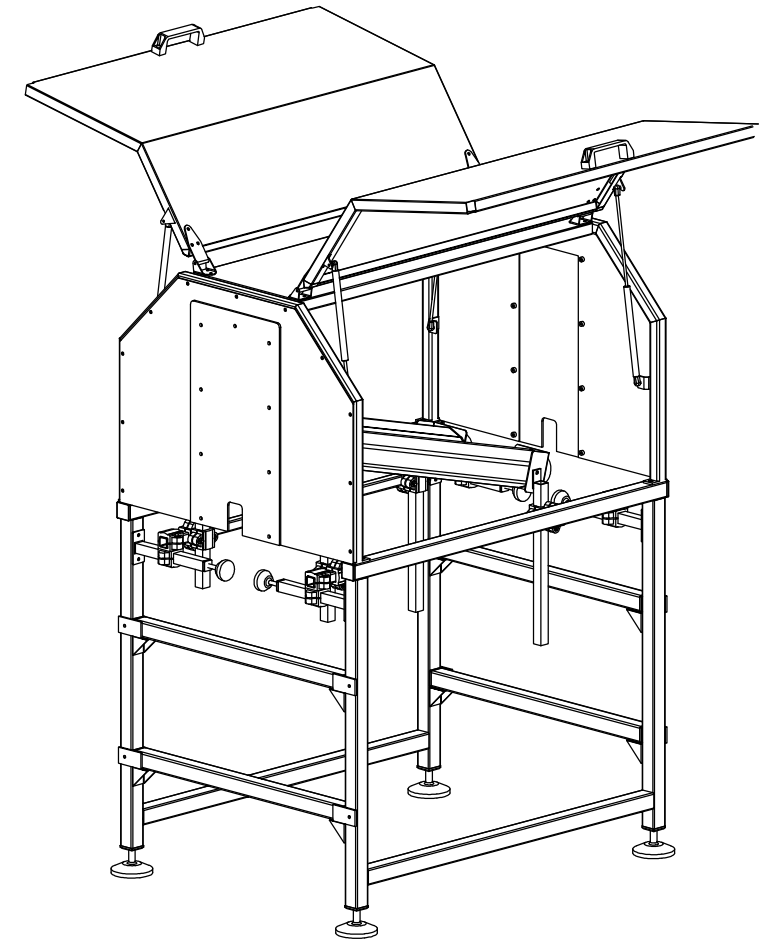
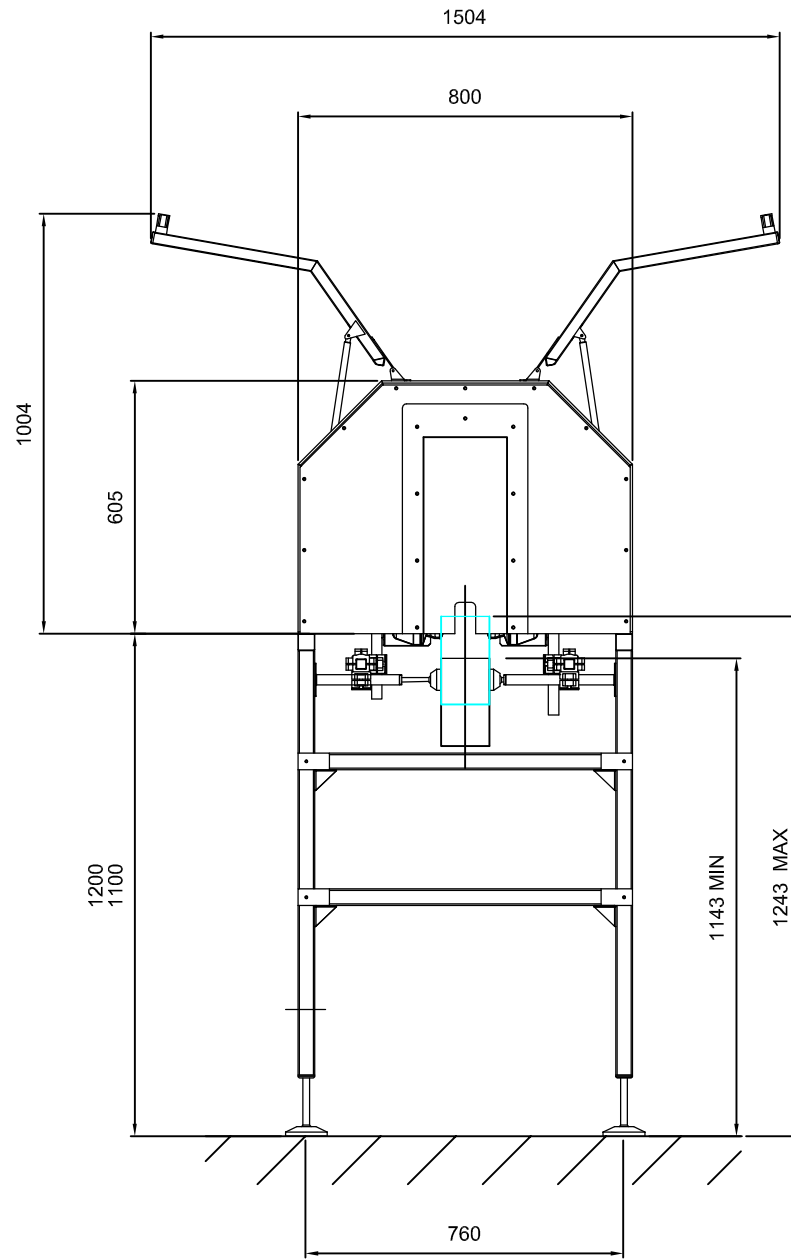
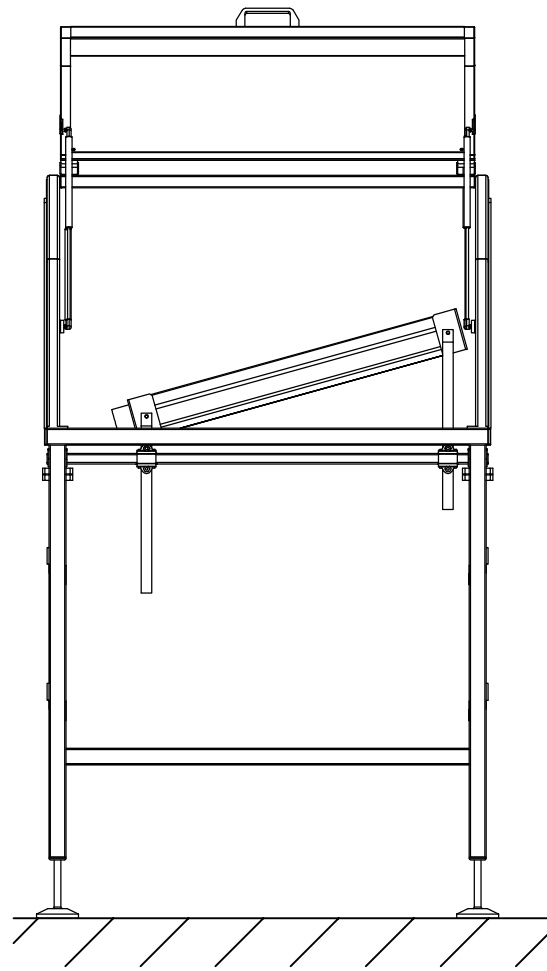


DO NOT SCALE



				GENERAL FINISH: MACHINED FINISH TO UOS ALL SURFACES TO BE FREE FROM BLEMISHES DEBUR AND BREAK ALL SHARP EDGES		MATERIAL:		COPYRIGHT © SECOMAK LTD. ALL RIGHTS RESERVED. THIS DRAWING CANNOT BE USED, COPIED, OR REPRODUCED WITHOUT THE EXPRESS PERMISSION OF SECOMAK LTD.		REVISION	
				GENERAL TOLERANCES UOS LINEAR: ± 1. WELDED FAB & SHEET METAL ± 0.1 MACHINED ANGULAR: ± 0.5°		FINISH:		330 CENTENNIAL PARK ELSTREE, HERTS, WD6 3TJ 020 8732 1300		TITLE: POWERSTRIP V	
				DRAWN: BJB NAME: BJB SIG: [Signature] DATE: 06/06/2006		SCALE: 1:1		DWG NO.		SHEET 1 OF 1	
MOD	ECN	DESCRIPTION	DRN	DATE	CHKD	MIND THE PROJECTION				A2	