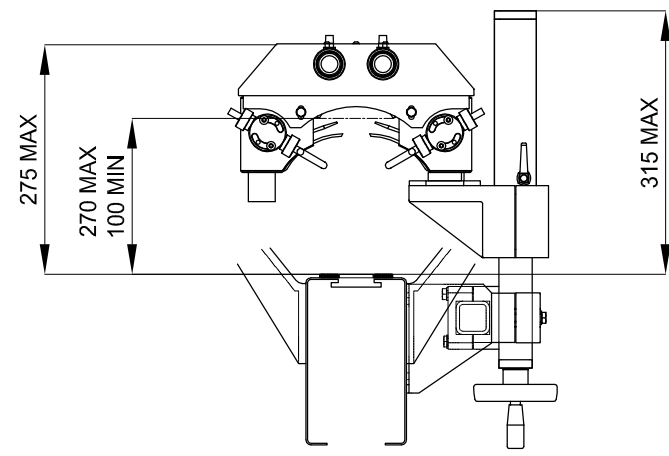
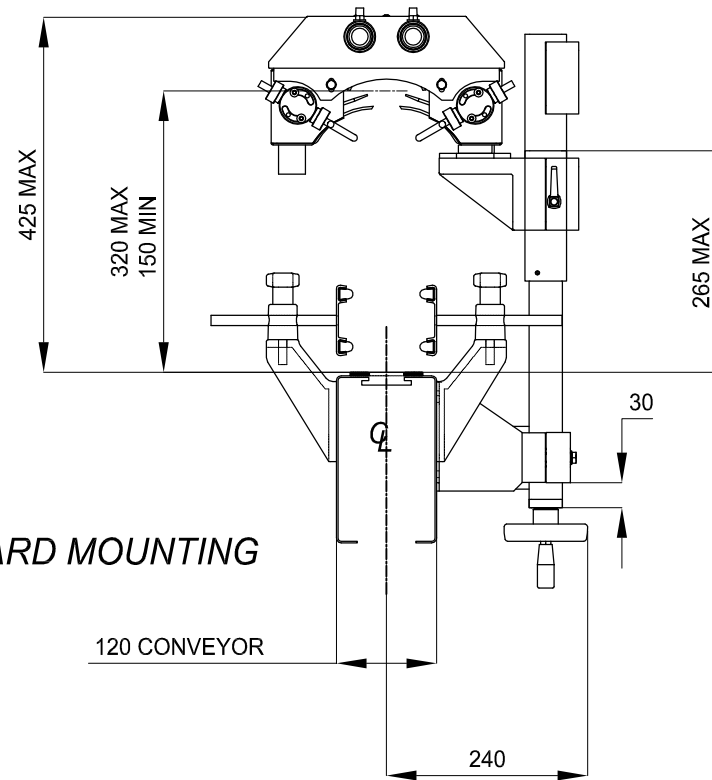


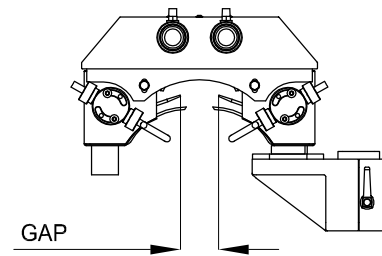
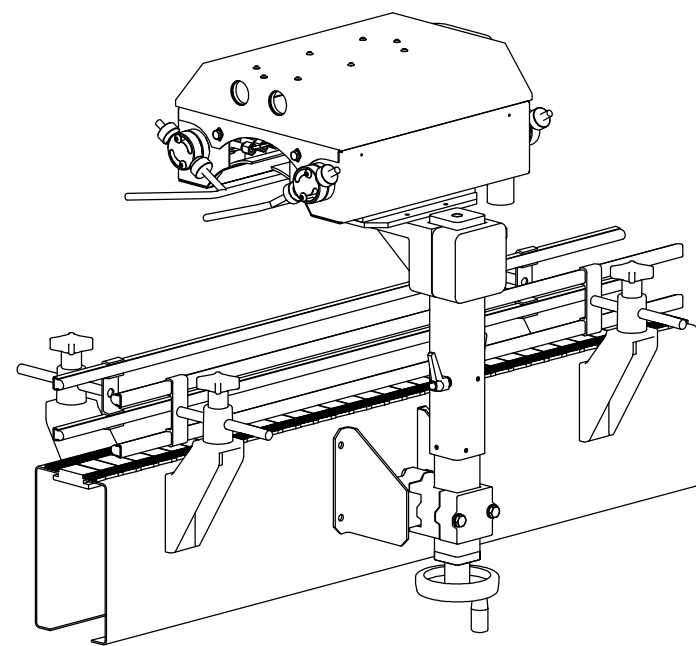
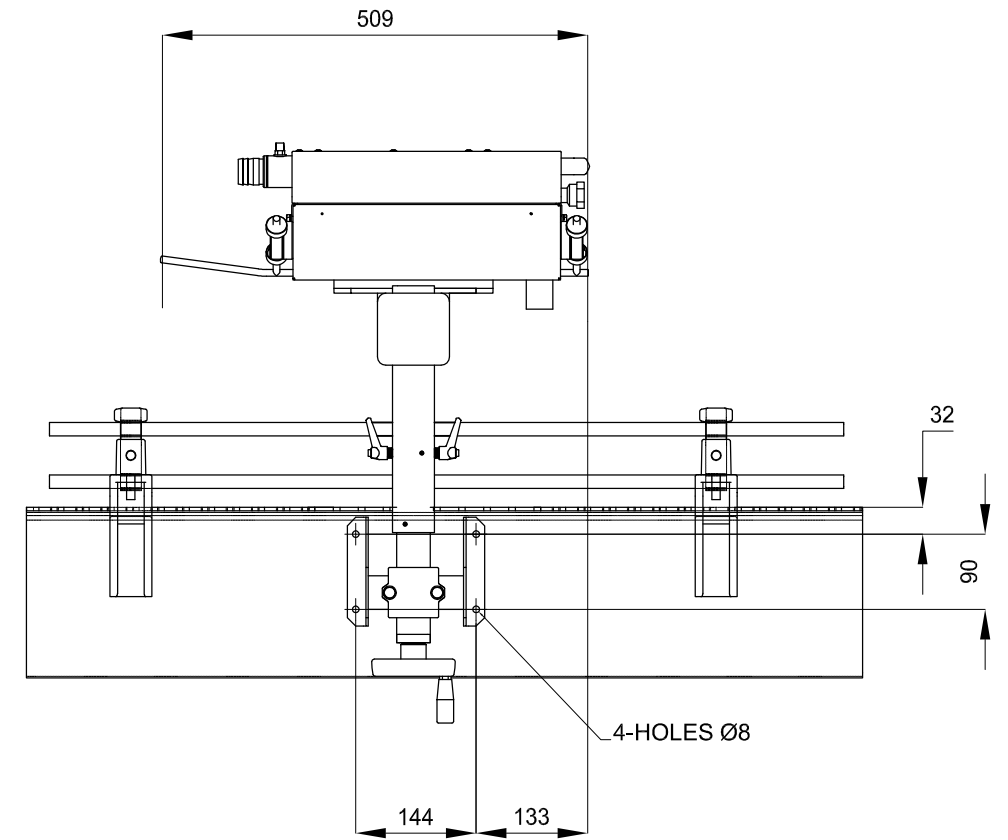
DO NOT SCALE



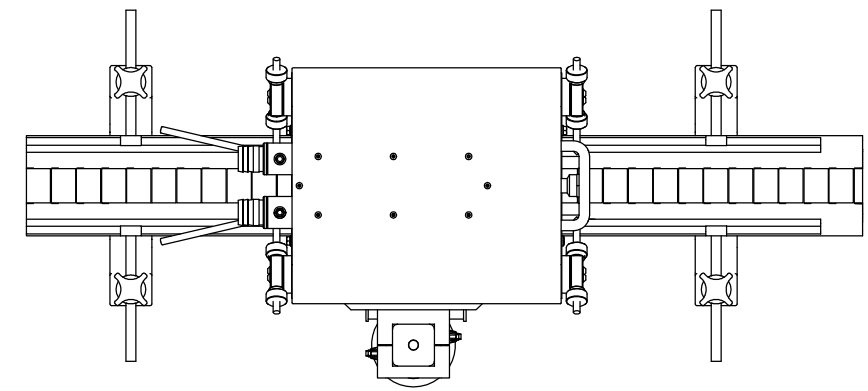
OPTIONAL MOUNT



STANDARD MOUNTING



- CROWN CAP: GAP = 35mm
- PET: GAP = 55 - 65mm
- JAR: GAP = 75 - 85mm



				GENERAL FINISH: MACHINED FINISH TO UOS ALL SURFACES TO BE FREE FROM BLEMISHES DEBUR AND BREAK ALL SHARP EDGES				MATERIAL:		COPYRIGHT © SECOMAK LTD. ALL RIGHTS RESERVED. THIS DRAWING CANNOT BE USED, COPIED OR REPRODUCED WITHOUT THE EXPRESS PERMISSION OF SECOMAK LTD.		REVISION
				GENERAL TOLERANCES UOS LINEAR: ± 1. WELDED FAB & SHEET METAL: ± 0.1 MACHINED ANGULAR: ± 0.5°				FINISH:		TITLE: <b>MISTRAL</b>		
DRAWN		NAME		SIG		DATE		SCALE:		SHEET 1 OF 1		
MOD	ECN	DESCRIPTION	DRN	DATE	CHKD	BJB	06/06/2006	4	DWG NO.	A2		

**Secomak Ltd** 330 CENTENIAL PARK, ELSTREE, HERTS, WD6 3TJ, UK TEL: 01992 5300