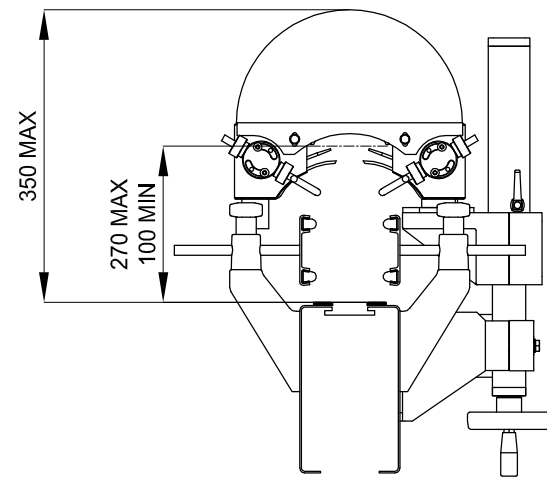
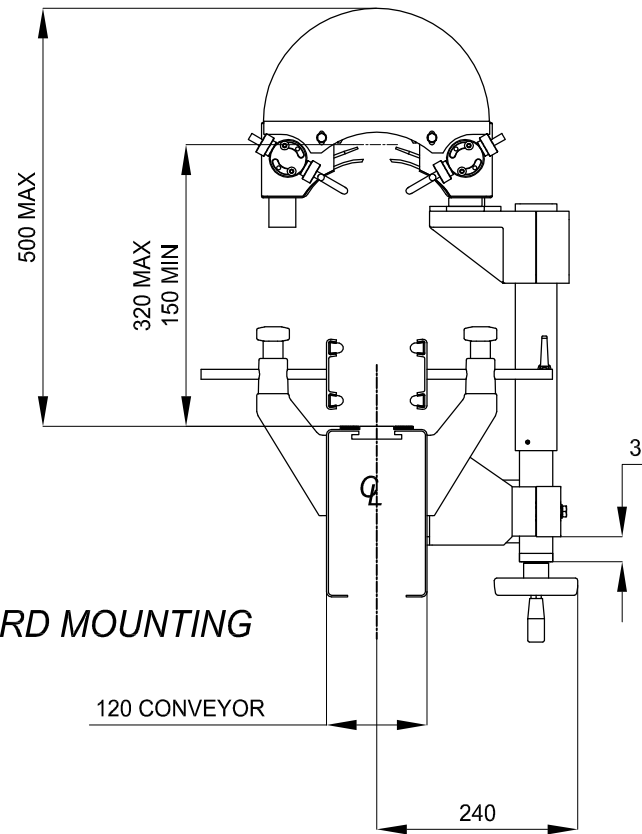


DO NOT SCALE

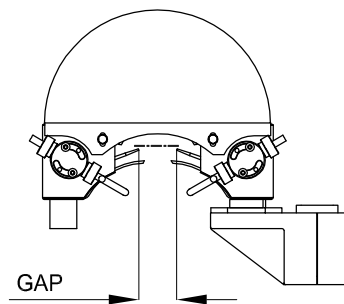
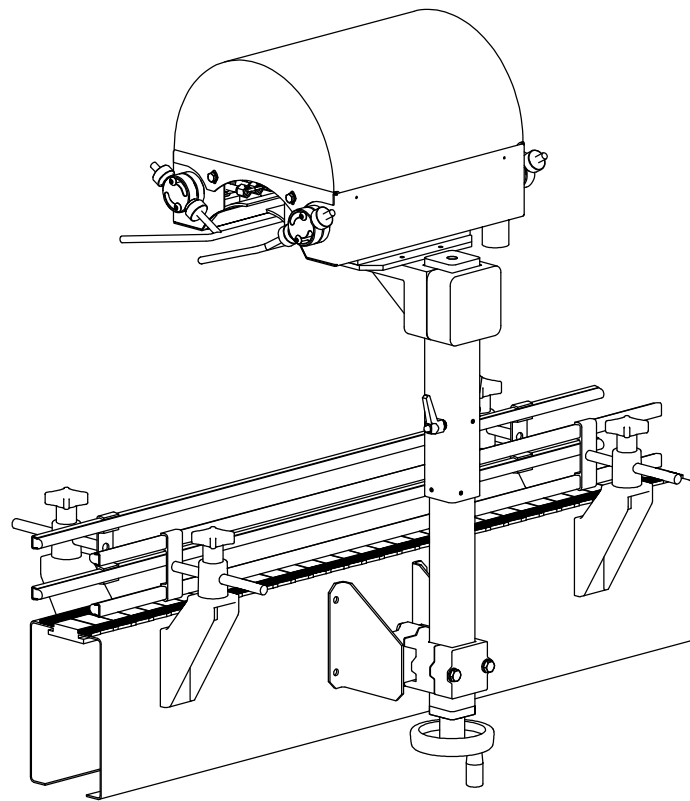


OPTIONAL MOUNT

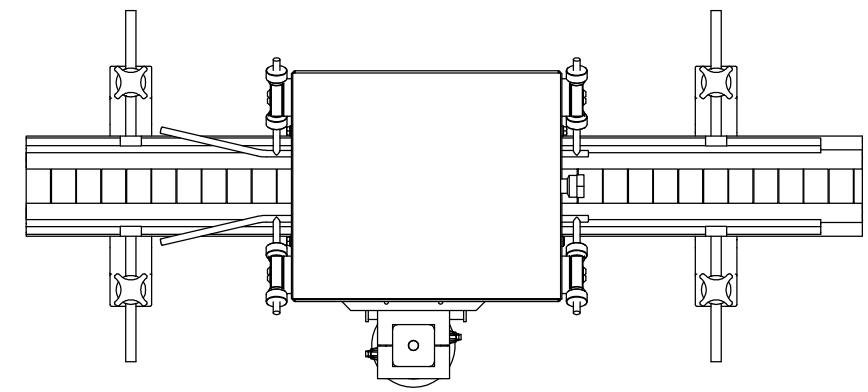
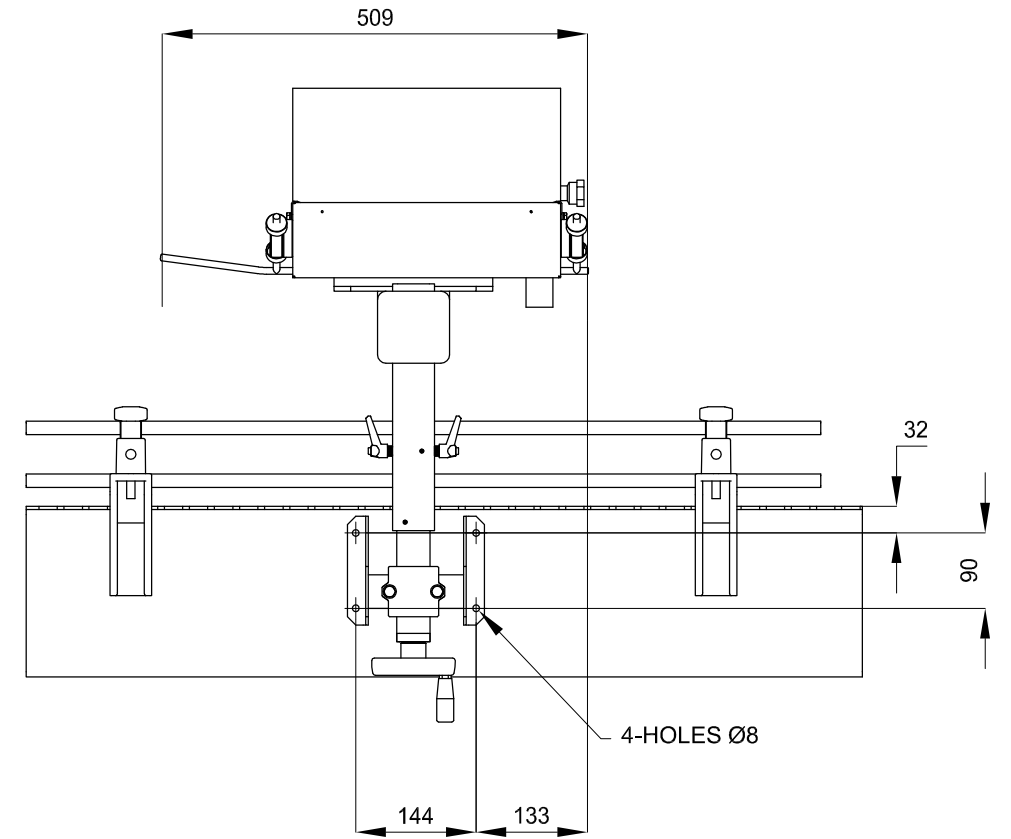


STANDARD MOUNTING

120 CONVEYOR



CROWN CAP: GAP = 35mm  
 PET: GAP = 55 - 65mm  
 JAR: GAP = 75 - 85mm



				GENERAL FINISH: MACHINED FINISH TO UDS ALL SURFACES TO BE FREE FROM BLEMISHES DEBUR AND BREAK ALL SHARP EDGES				MATERIAL:		COPYRIGHT © SECOMAK LTD 2006. ALL RIGHTS RESERVED. THIS DRAWING CANNOT BE USED, COPIED, OR REPRODUCED WITHOUT THE EXPRESS PERMISSION OF SECOMAK LTD.		REVISION	
				GENERAL TOLERANCES UDS LINEAR: ± 0.1 WELDED FAB & SHEET METAL ± 0.1 MACHINED ANGULAR: ± 0.5°				FINISH:		TITLE: MISTRAL V			
DRAWN		NAME		SIG		DATE		SCALE:		DWG NO.		SHEET 1 OF 1	
MOD	ECN	DESCRIPTION	DRN	DATE	CHKD								A2