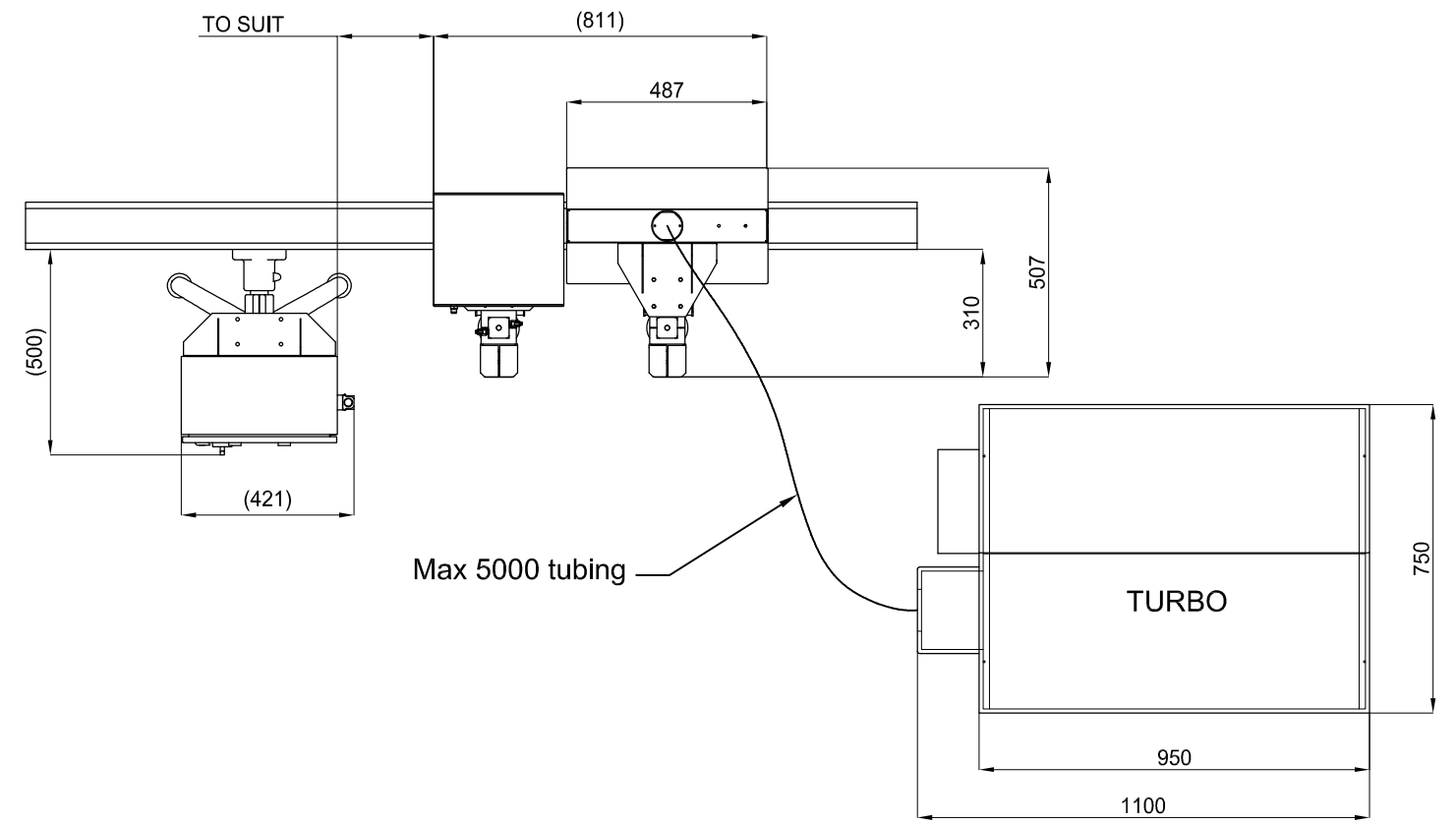
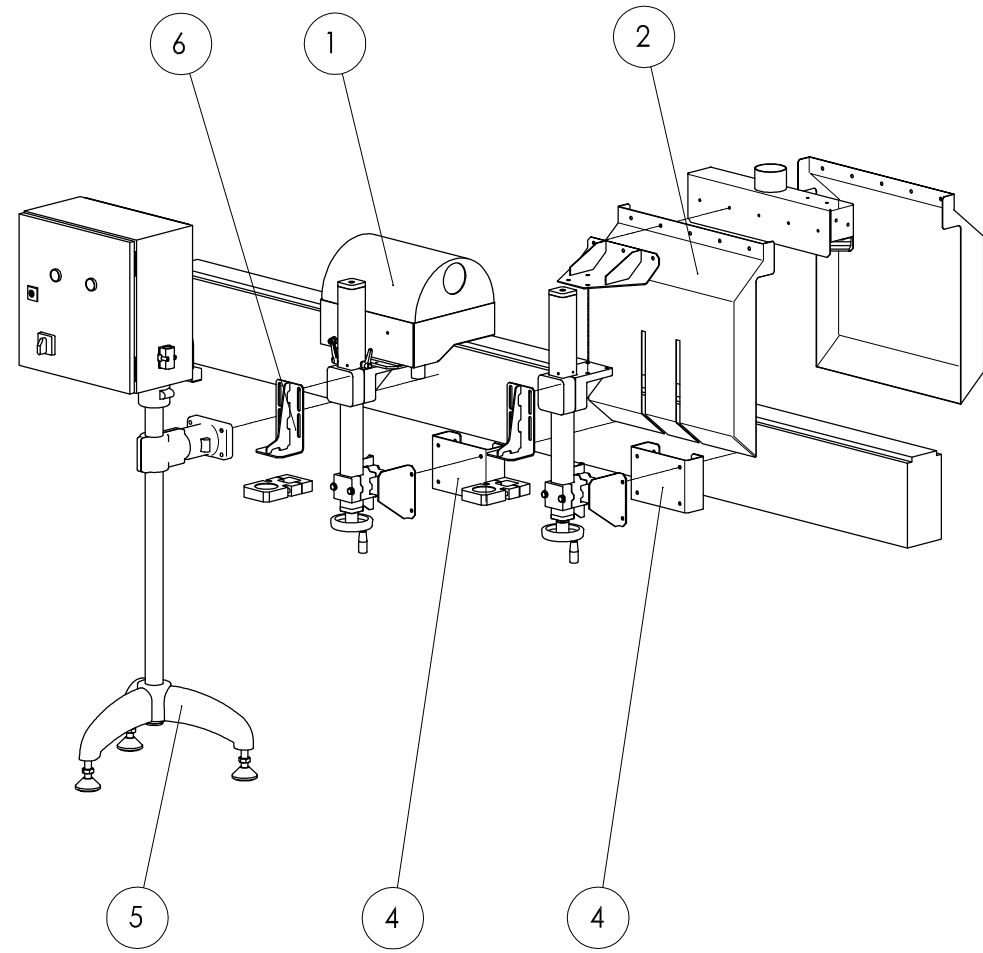
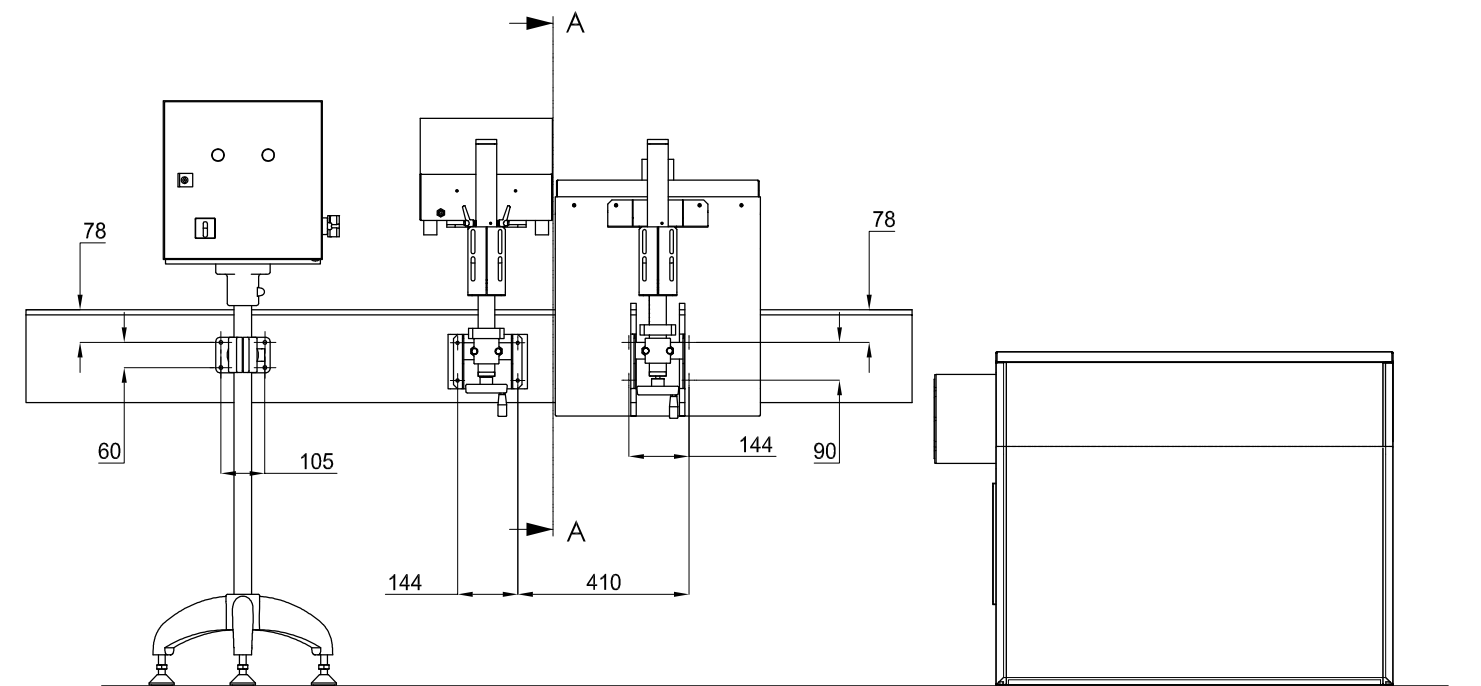
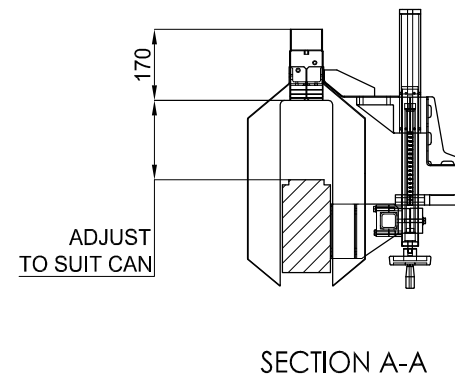


DO NOT SCALE



ITEM NO.	PART NO.	DESCRIPTION	QTY.
1	PG3033-2	ASSY: TORNADO (ST ST COVER)	1
2	PG3033-3	ASSY: CAN TOP DRYER	1
4	B1276	MOUNTING BRK	2
5	PG3033-5	ASSY: CONTROLS	1
6	B1353	PRODUCT STOP	2
7	B1352	PRODUCT MOUNT	2



GENERAL FINISH: MACHINED FINISH TO UDS ALL SURFACES TO BE FREE FROM BLEMISHES DEBUR AND BREAK ALL SHARP EDGES				MATERIAL: FINISH:		COPYRIGHT © SECOMAK LTD. ALL RIGHTS RESERVED. THIS DRAWING CANNOT BE USED, COPIED, OR REPRODUCED WITHOUT THE EXPRESS PERMISSION OF SECOMAK LTD.		REVISION
GENERAL TOLERANCES UDS LINEAR: ± 1 WELDED FAB & SHEET METAL ± 0.1 MACHINED ANGULAR: $\pm 0.5^\circ$				TITLE: Can Top Dryer & Tornado		330 CENTENIAL PARK ELSTREE, HERTS, WD6 3TJ 020 8722 1300		SHEET 1 OF 1
DRAWN BJB	NAME BJB	SIG 	DATE 06/06/2006	SCALE:	DWG NO.	A2		
MOD	ECN	DESCRIPTION	DRN	DATE	CHKD			