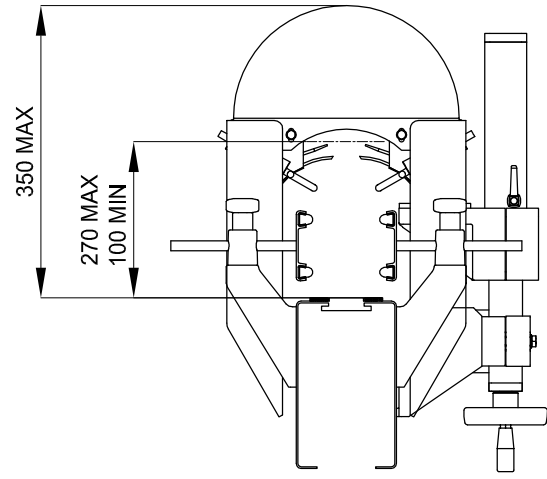
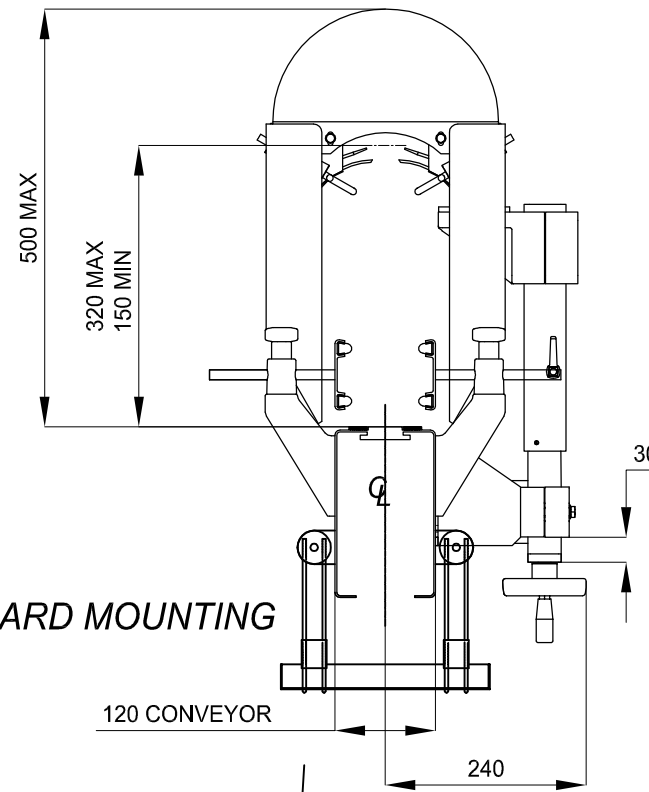


DO NOT SCALE

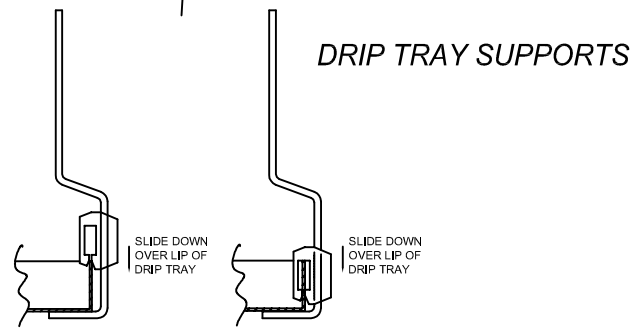
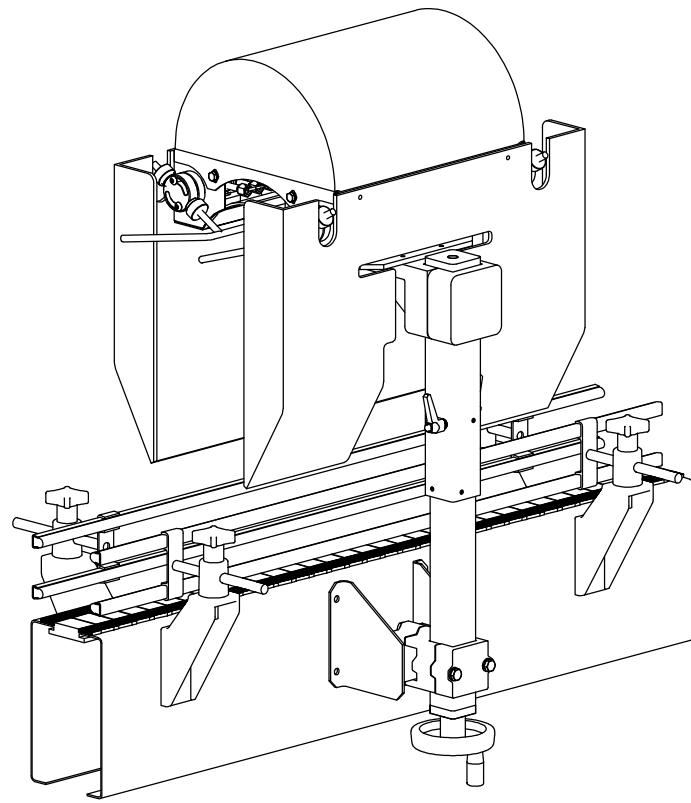
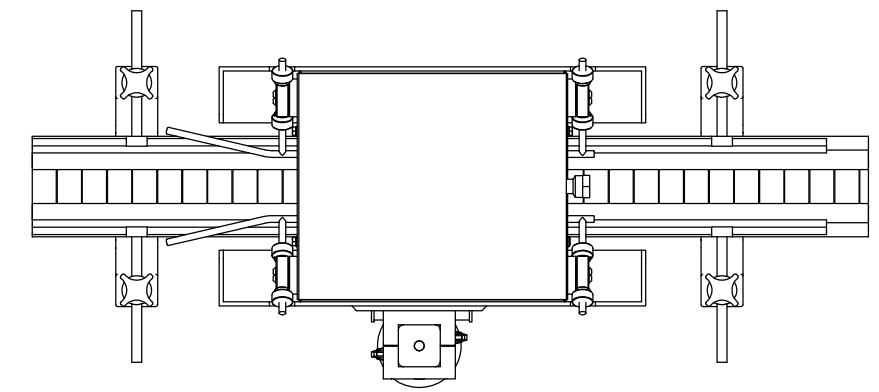
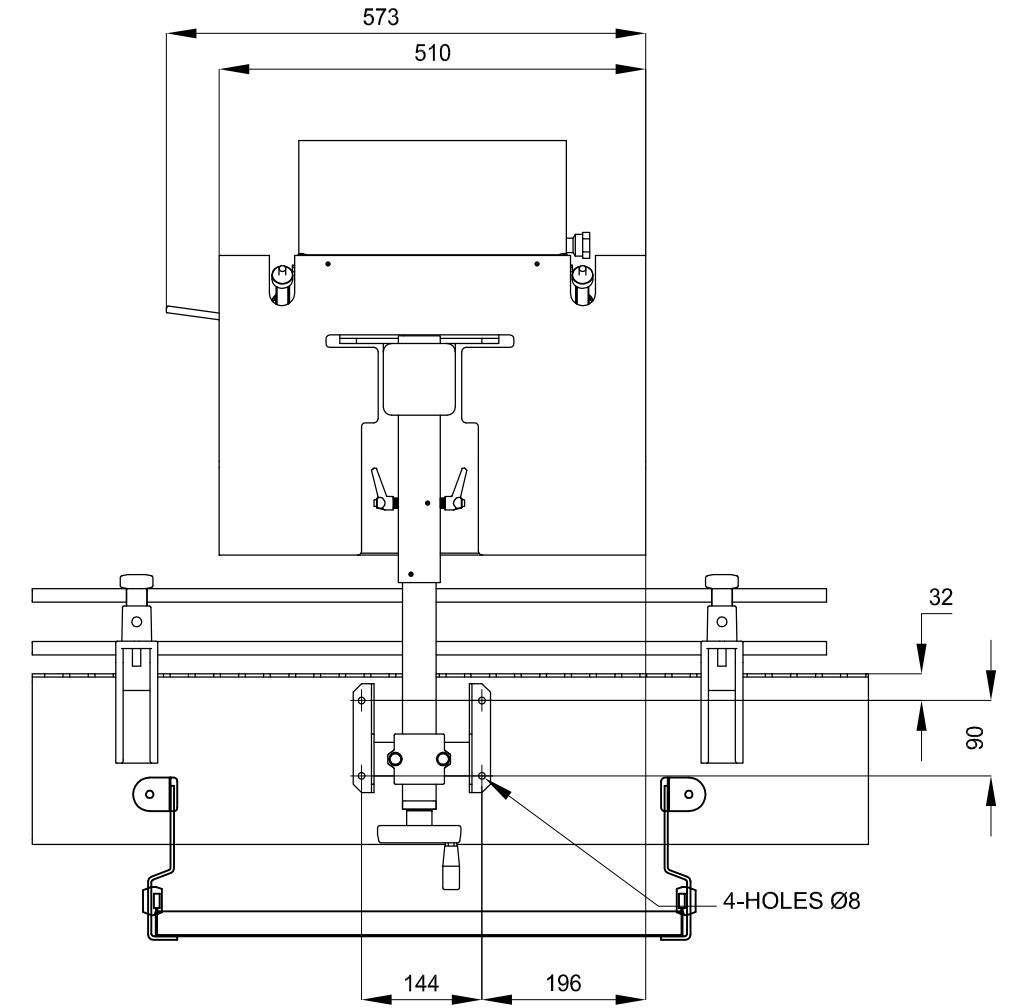


OPTIONAL MOUNT



STANDARD MOUNTING

120 CONVEYOR



DRIP TRAY SUPPORTS

GENERAL FINISH: MACHINED FINISH TO UOS ALL SURFACES TO BE FREE FROM BLEMISHES DEBUR AND BREAK ALL SHARP EDGES		MATERIAL:		COPYRIGHT © SECOMAK LTD. ALL RIGHTS RESERVED. THIS DRAWING CANNOT BE USED, COPIED OR REPRODUCED WITHOUT THE EXPRESS PERMISSION OF SECOMAK LTD.		REVISION	
GENERAL TOLERANCES UOS LINEAR: ± 1. WELDED FAB & SHEET METAL ± 0.1 MACHINED ANGULAR: ± 0.5°		FINISH:		TITLE: AQUARINSE		330 CENTENIAL PARK ELSTREE, HERTS, WD6 3TJ 020 8724 1300	
DRAWN: BJB		NAME: SIG: DATE: 06/06/2006		SCALE:		DWG NO. SHEET 1 OF 1	
MOD	ECN	DESCRIPTION	DRN	DATE	CHKD	A2	